

OMBRA EXTERNAL AWNINGS



# Installation Guide

## Straight Drop



*inspired spaces*

- > 1800 007 321
- > [apollopatios.com.au](http://apollopatios.com.au)



<b>SECTION A   TOOLS AND ADDITIONAL ITEMS REQUIRED</b>		<b>3</b>
TOOLS REQUIRED .....		3
ADDITIONAL ITEMS REQUIRED (NOT SUPPLIED) .....		3
BLIND ITEMS REQUIRED .....		4
<b>SECTION B   INSTALLATION</b>		<b>6</b>
PART A – PREPARING INSTALLATION SPACE .....		6
PART B – BOX INSTALLATION .....		7
PART C – COVER INSTALLATION .....		8
PART D – OPEN BRACKET INSTALLATION .....		9
PART E – BLIND INSTALLATION .....		10
PART F – ATTACH CLIP/STRAP .....		13
PART G – INSERT BOX / COVER .....		15
INSTALLED STRAIGHT DROP .....		16

## DISCLAIMER

### INTRODUCTION

This Installation manual for OMBRA | Straight Drop has been produced by Apollo Patios to supply the necessary information for the safe and correct installation of OMBRA | Straight Drop.

### DISCLAIMER

Apollo Patios has used reasonable care in preparing the information included in this document, but makes no representations or warranties as to the completeness or accuracy of the information. Information is supplied upon the condition that the persons receiving the information will make their own determination as to its suitability for their purposes prior to use. Apollo Patios assumes no liability whatsoever for any damages incurred by you resulting from errors in or omissions from the information included herein. Apollo Patios reserves the right to make changes without further notice to any products to improve reliability, function or design.

### COPYRIGHT

COPYRIGHT © CW SYSTEMS

All rights are reserved. No part of this document may be reproduced or utilised in any means, by any means, electronic or mechanical including photocopying, recordings, or by any information storage or retrieval system, without the express permission from CW Systems.

## TOOLS REQUIRED

---

- Saw
- Drill
- Screw Driver – Philips Head & Flat Head
- Jaw Pliers
- Allen Key Set
- Mallet
- Scissors

## ADDITIONAL ITEMS REQUIRED (NOT SUPPLIED)

---

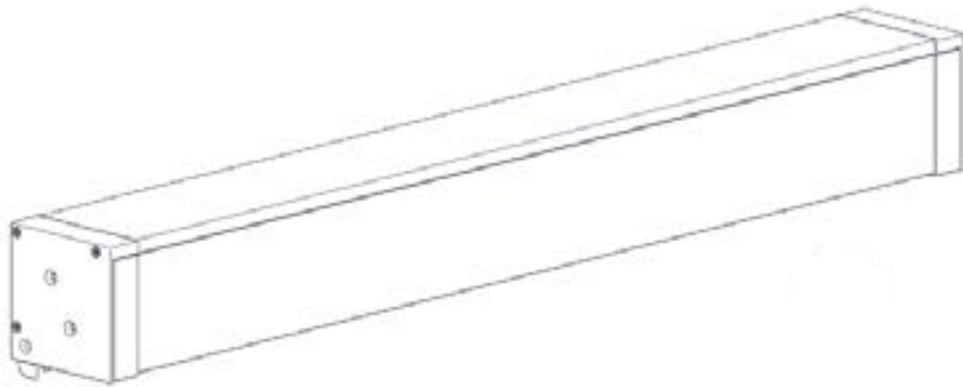
To install a OMBRA | Straight Drop, the following non-stocked items are required:

- Fixings for Box/Open Brackets/Hardware (ensure appropriate fixings are used to suit application)
- Trims to conceal packing (if required)

### BLIND ITEMS REQUIRED

---

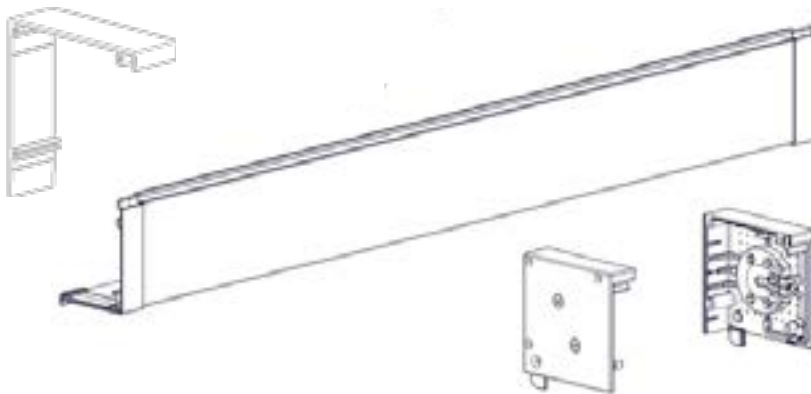
BOX (FULL OR SEMI)



or

COVER

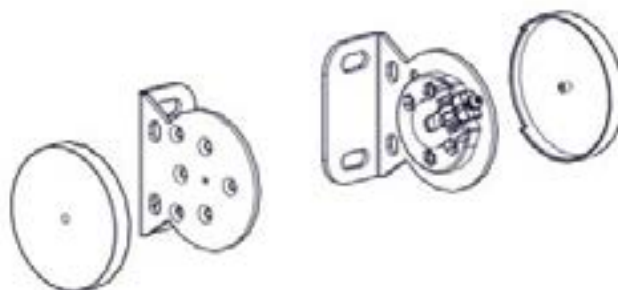
Fascia Bracket (RE03-0101-xxx000) may be required as a centre support for larger spans



NOTE: Store clip until required (can be left in adaptor as shown)

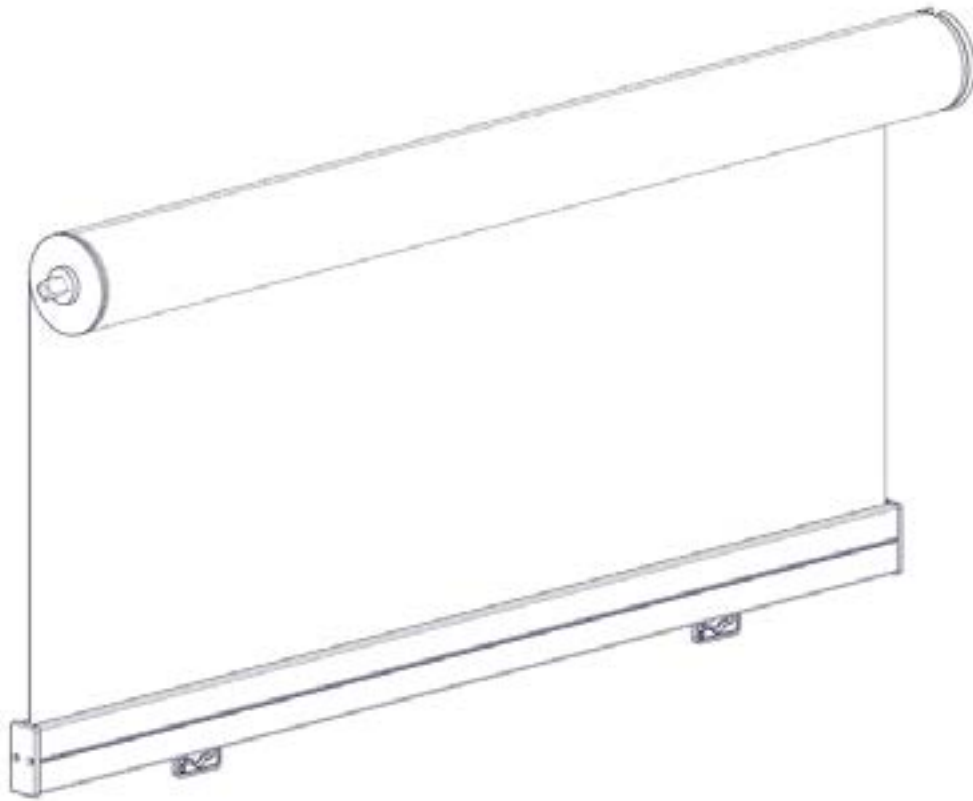
or

COVER (FULL OR SEMI)

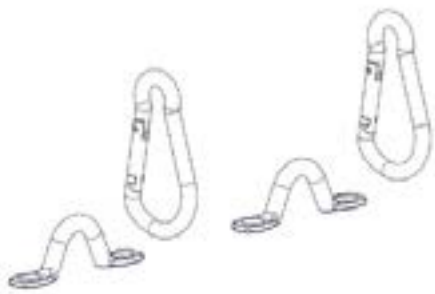


NOTE: Store clip until required (can be left in adaptor as shown)

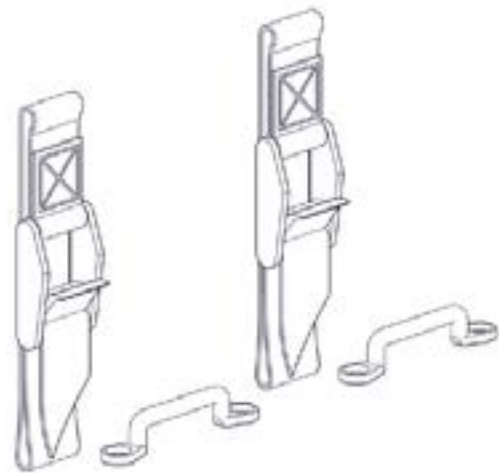
BLIND



STRAP DOWN HARDWARE



OR



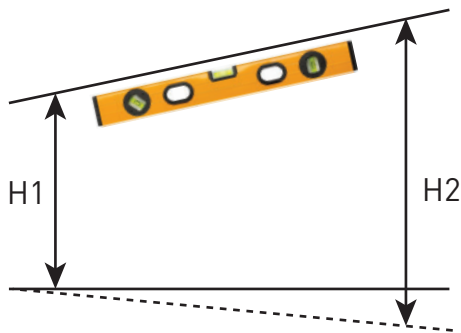
## PART A – PREPARING INSTALLATION SPACE

### STEP 1. - CHECK FOR OBSTRUCTIONS

Check for any obstructions that may interfere in installation.

### STEP 2. - CHECK VERTICAL & HORIZONTAL INSTALLATION DIMENSIONS

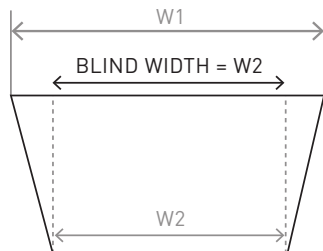
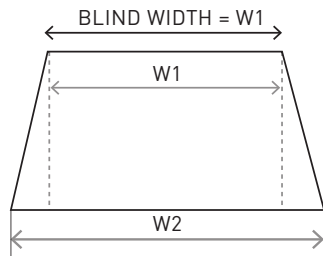
#### VERTICAL DIMENSIONS



Check if top of installation space is level.

- If  $H1 \neq H2$ , corrective actions may need to be considered prior to installation

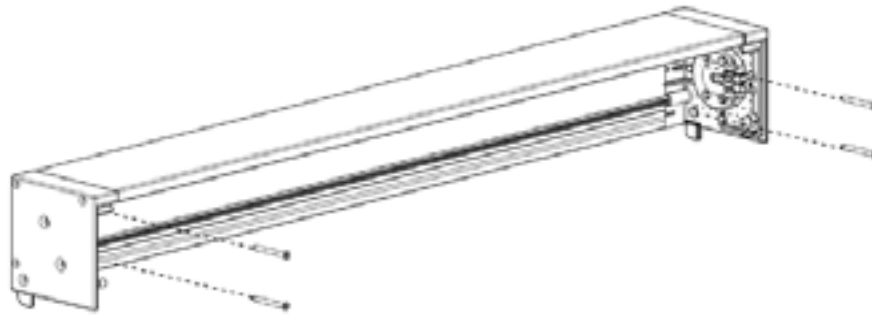
#### HORIZONTAL DIMENSIONS



## PART B – BOX INSTALLATION

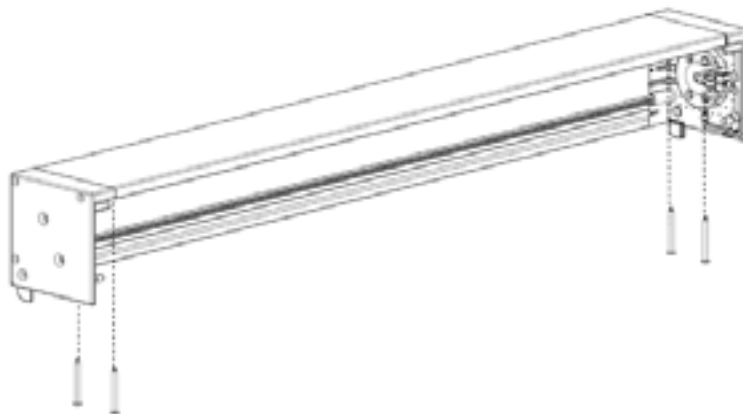
### STEP 1 – INSTALL BOX TO WALL/CEILING

#### FACE FIX



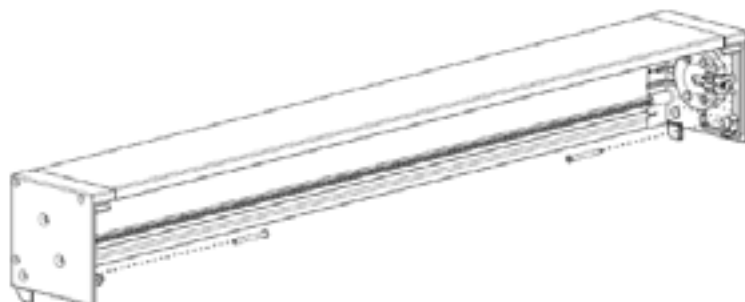
Note: Use appropriate fixings to suit application. Ensure Box is Aligned and Level.

#### TOP FIX



Note: Use appropriate fixings to suit application. Ensure Box is Aligned and Level.

#### SIDE FIX



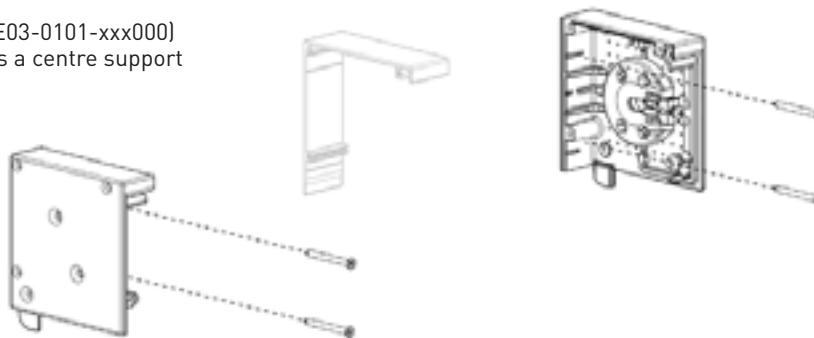
Note: Use appropriate fixings to suit application. Ensure Box is Aligned and Level.

## PART C – COVER INSTALLATION

### STEP 1 – INSTALL END PLATES TO WALL/CEILING USING APPROPRIATE FIXINGS TO SUIT APPLICATION

#### FACE FIX

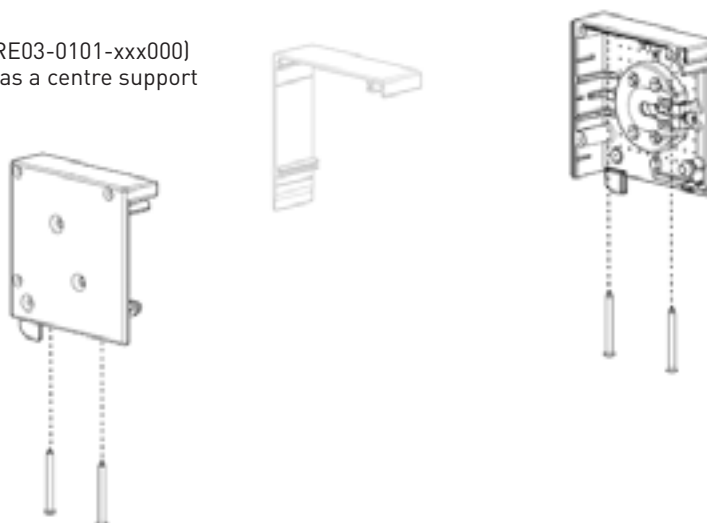
Fascia Bracket (RE03-0101-xxx000) may be required as a centre support for larger spans



Note: 1. Use appropriate fixings to suit application. 2. Ensure End Plates are Aligned and Level. 3. Measure brackets end to end to confirm measurement is correct

#### TOP FIX

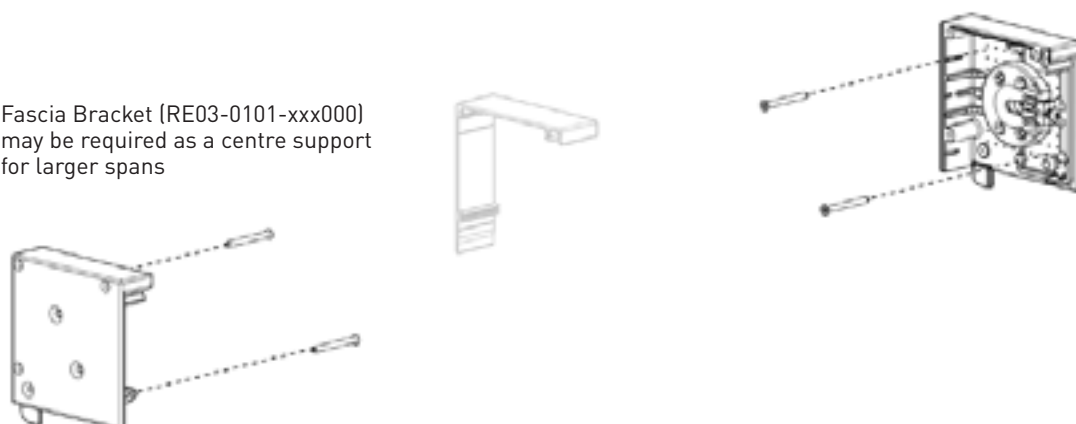
Fascia Bracket (RE03-0101-xxx000) may be required as a centre support for larger spans



Note: 1. Use appropriate fixings to suit application. 2. Ensure End Plates are Aligned and Level. 3. Measure brackets end to end to confirm measurement is correct

#### SIDE FIX

Fascia Bracket (RE03-0101-xxx000) may be required as a centre support for larger spans



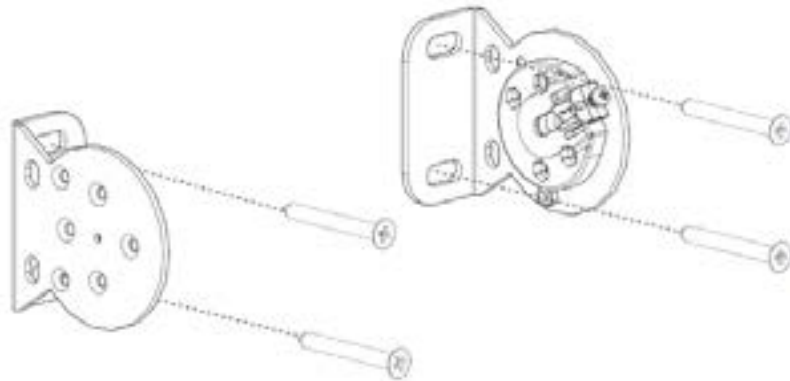
Note: 1. Use appropriate fixings to suit application. 2. Ensure End Plates are Aligned and Level. 3. Measure brackets end to end to confirm measurement is correct



## PART D – OPEN BRACKET INSTALLATION

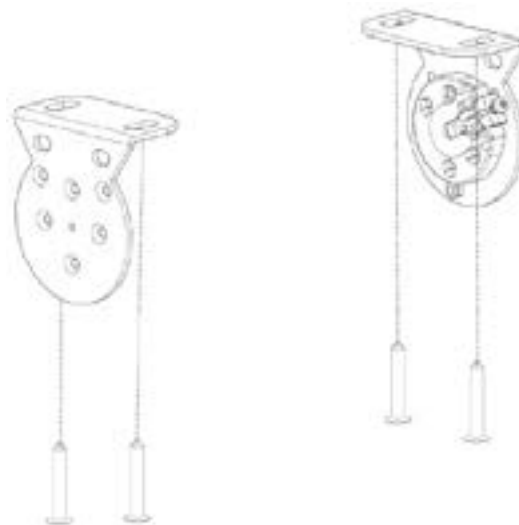
STEP 1 – INSTALL BRACKETS TO WALL/CEILING USING APPROPRIATE FIXINGS TO SUIT APPLICATION

### FACE FIX



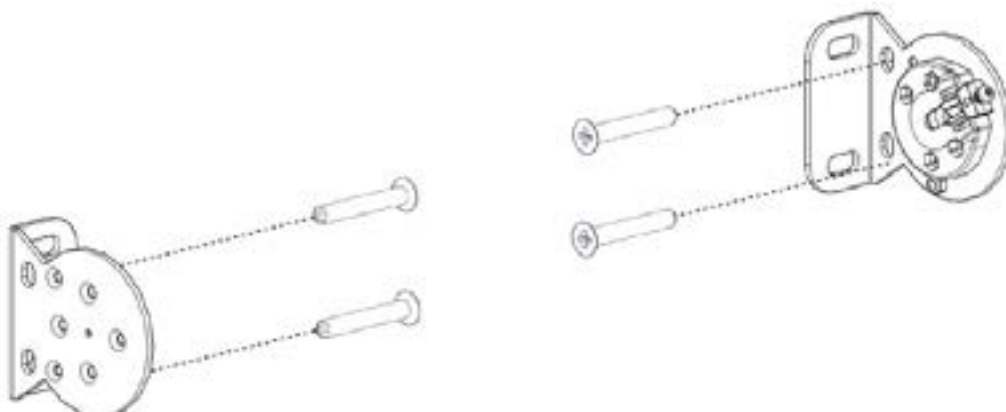
Note: 1. Use appropriate fixings to suit application. 2. Ensure brackets are Aligned and Level. 3. Measure brackets end to end to confirm measurement is correct

### TOP FIX



Note: 1. Use appropriate fixings to suit application. 2. Ensure brackets are Aligned and Level. 3. Measure brackets end to end to confirm measurement is correct

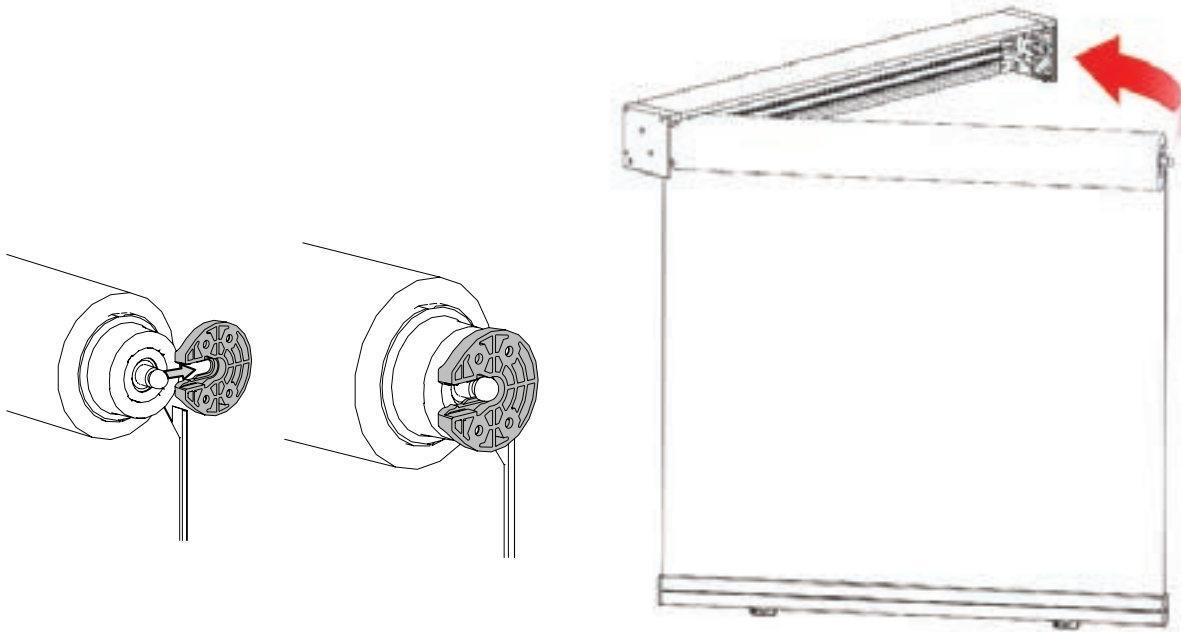
### SIDE FIX



Note: 1. Use appropriate fixings to suit application. 2. Ensure brackets are Aligned and Level. 3. Measure brackets end to end to confirm measurement is correct

## PART E – BLIND INSTALLATION

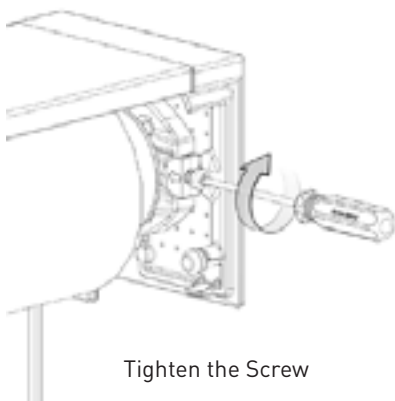
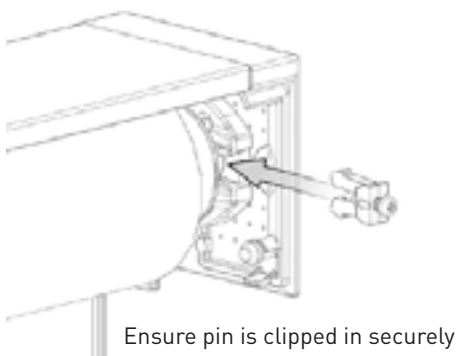
### STEP 1 – INSERT BLIND INTO BOX



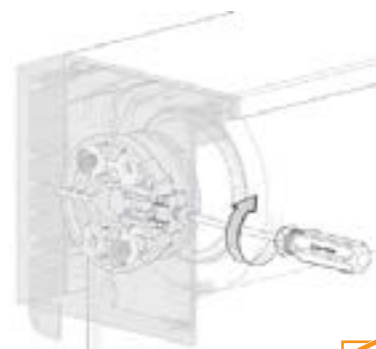
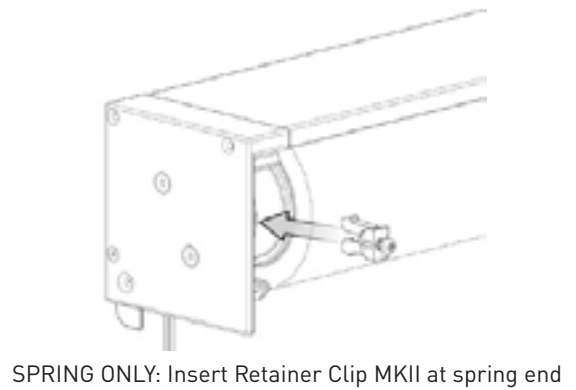
User effort will be required to push the booster head/idler pin into the adapter, a noticeable “click” will indicate that the component is correctly located.

### STEP 2 – INSERT RETAINER CLIP MKII ONTO IDLER ADAPTER

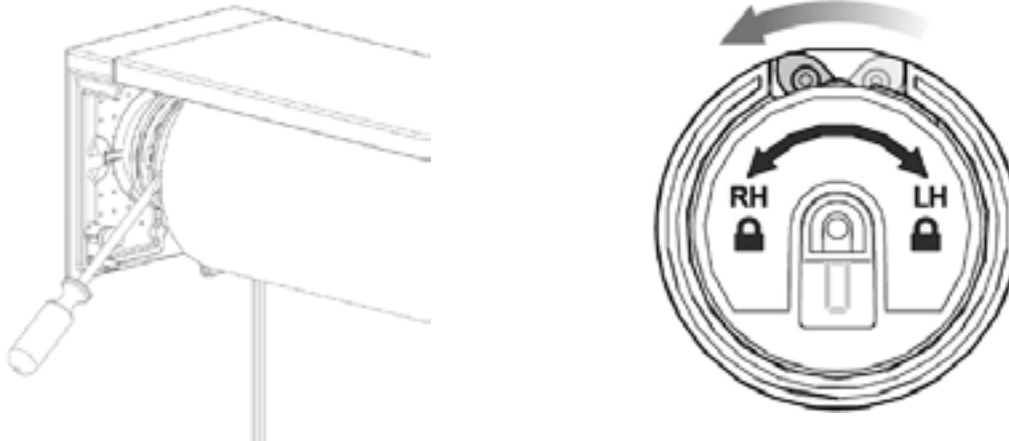
#### IDLER END



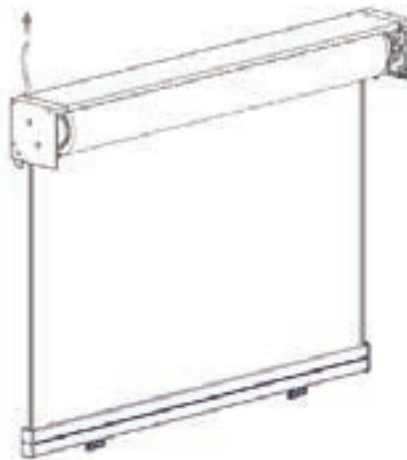
#### CONTROL END



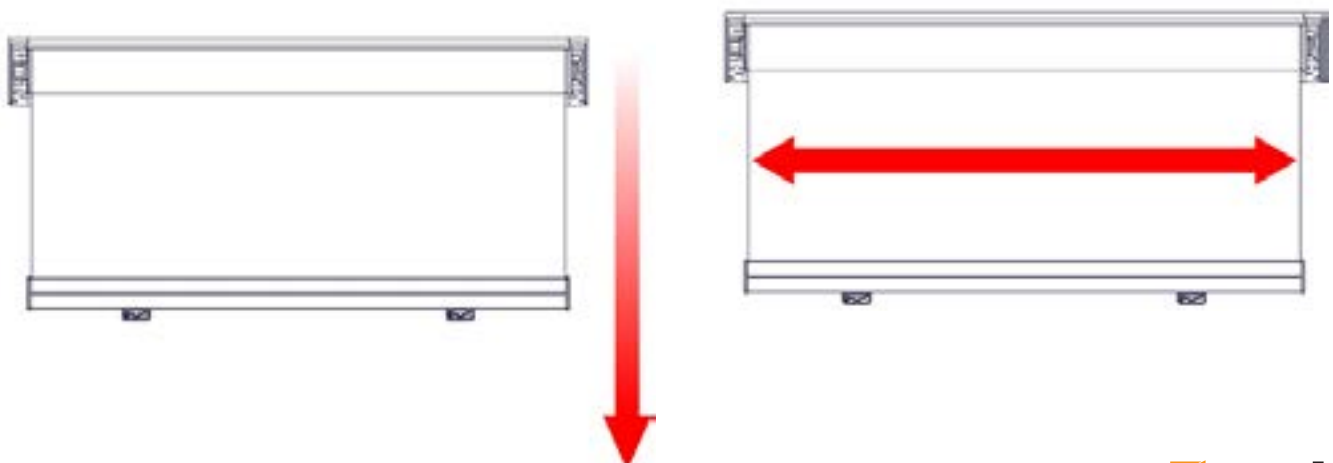
STEP 3 – UNLOCK PRE-TENSION HEAD AT SPRING END (FOR SPRING ONLY)



STEP 4 – FEED THROUGH MOTOR CABLE (FOR MOTOR ONLY)



STEP 5 – RUN BLIND DOWN + CENTRE



STEP 6 – TEST BLIND OPERATION

---



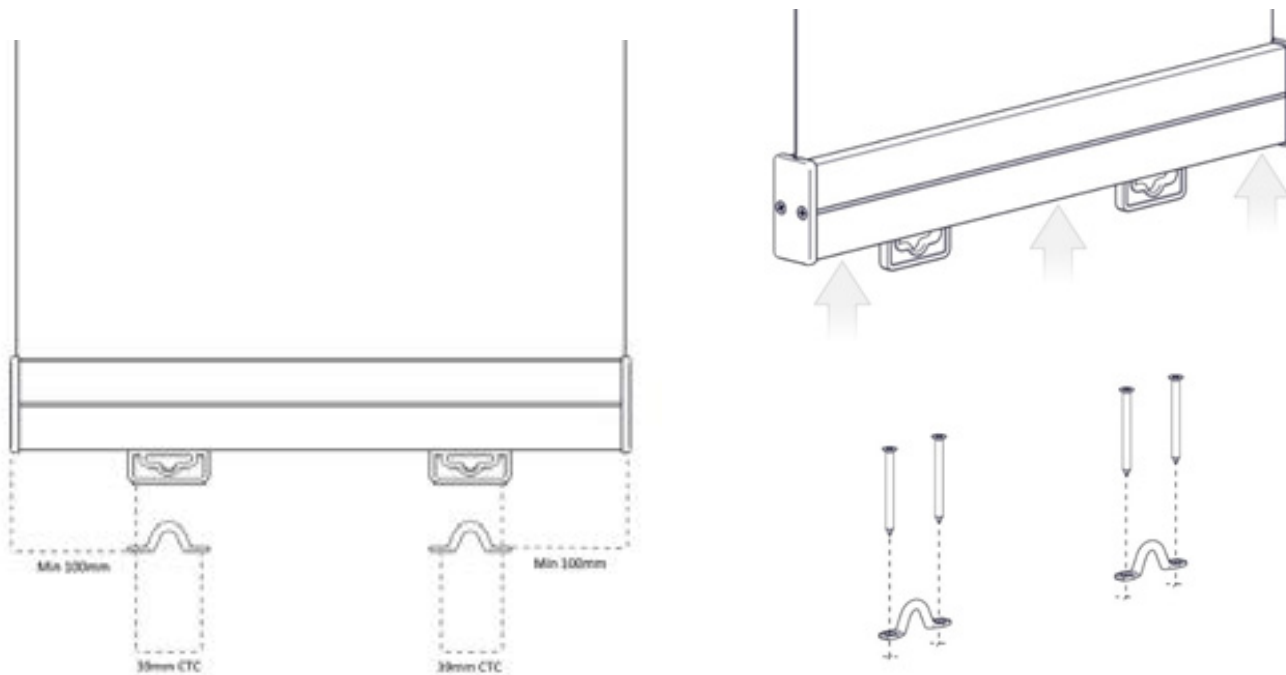
For spring operation, blind should creep up slowly when pulled down.  
If blind does not creep up, add more pre-turns. Refer steps 7 - 10  
For motor operation, ensure wiring is correct and motor is operating correctly.  
For gear operation, ensure operation is smooth.  
Once blind is operating correctly, proceed to SECTION 2 / Part G.

---

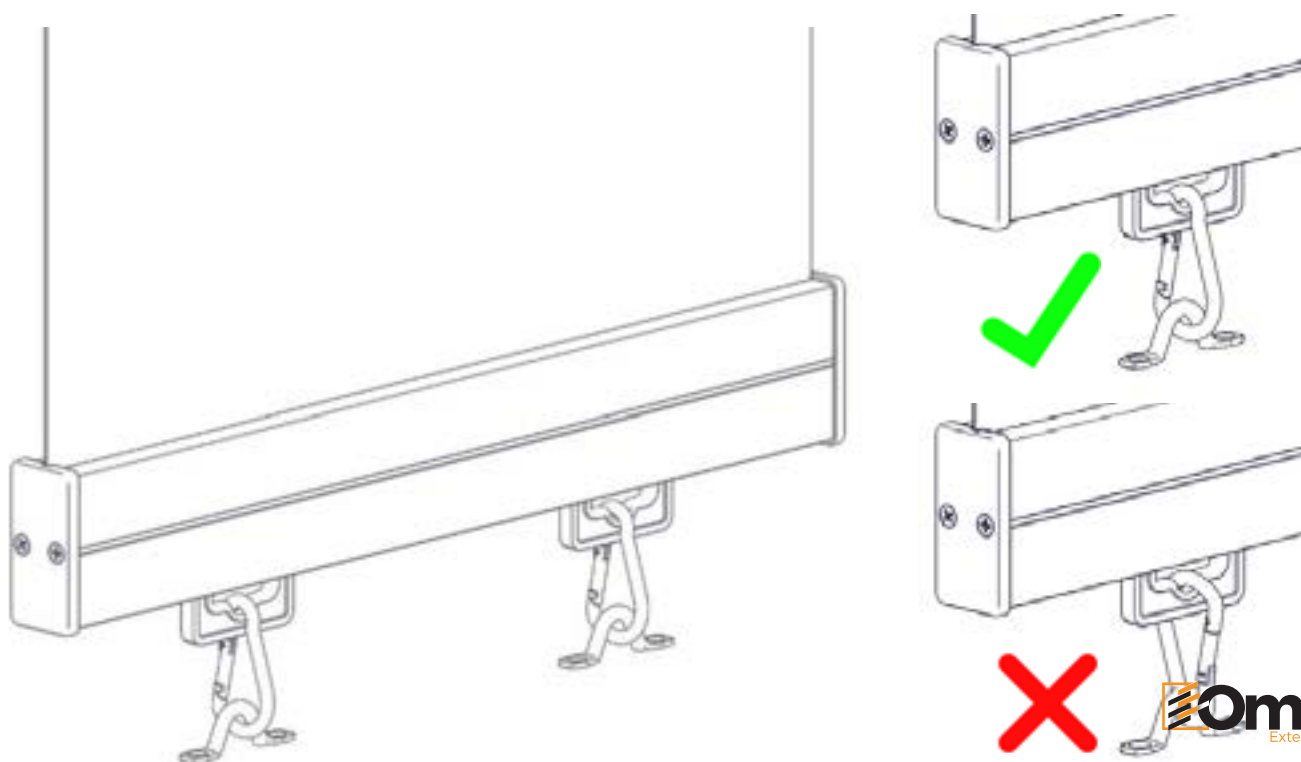
### PART F - ATTACH CLIP/STRAP

#### OPTION 1 - CLIP

STEP 1 - MARK OUT POSITION OF SADDLES (SUGGESTED 100MM NOMINAL FROM END CAP), FIX WITH APPROPRIATE SCREWS

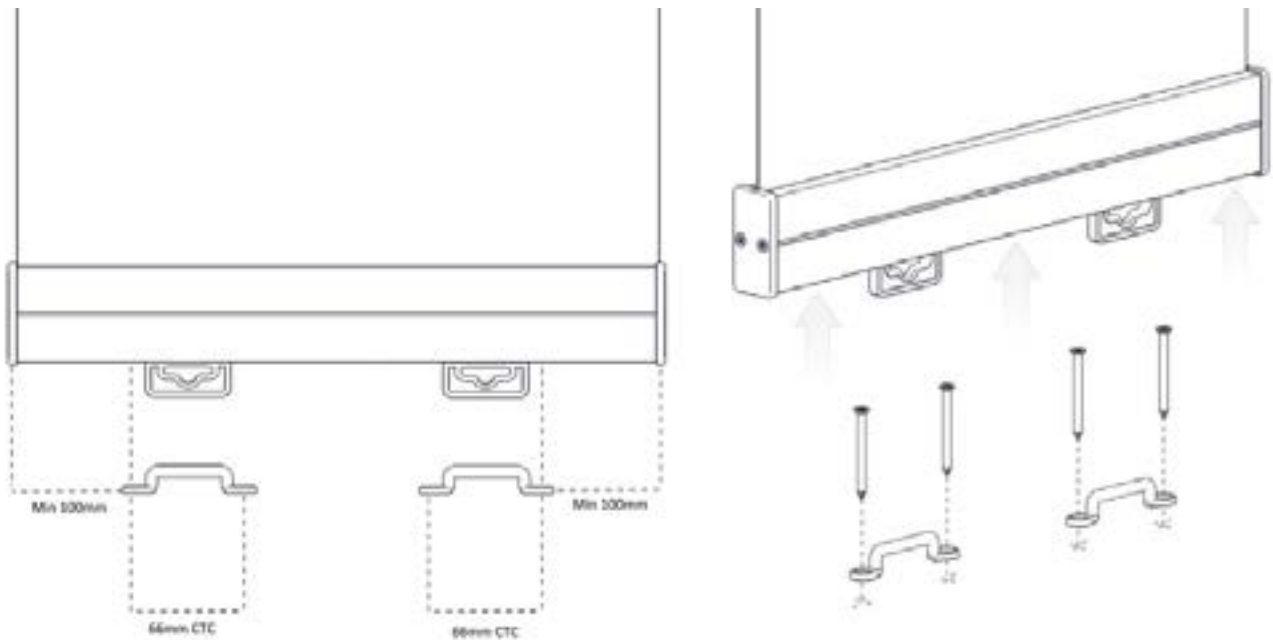


STEP 2 - ATTACH CLIP IN CORRECT ORIENTATION

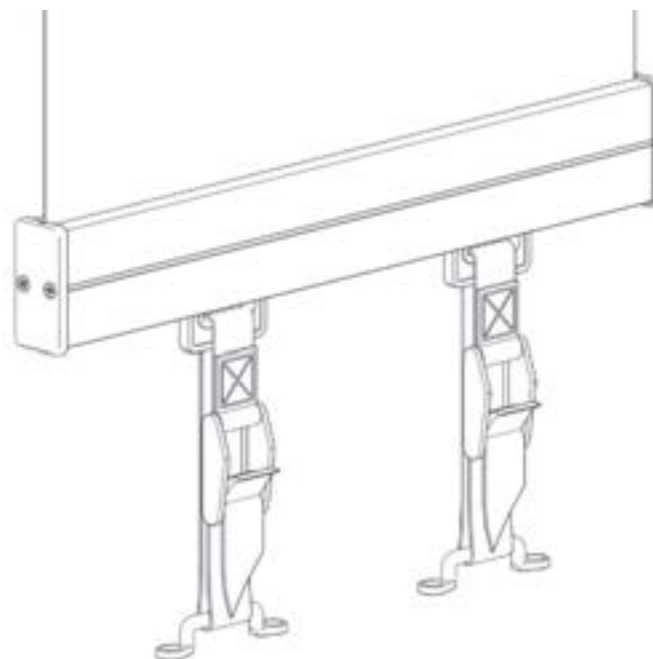


OPTION 2 - STRAP

STEP 1 - MARK OUT POSITIONING OF SADDLES (SUGGESTED 100MM FROM END CAP), FIX WITH APPROPRIATE SCREWS



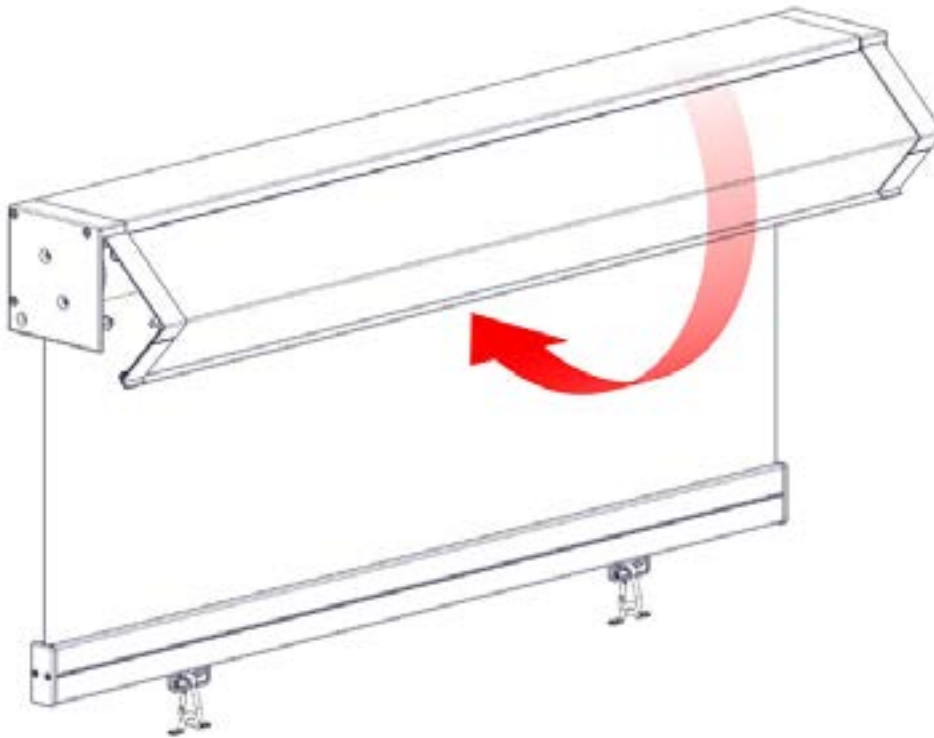
STEP 2 - ATTACH STRAP



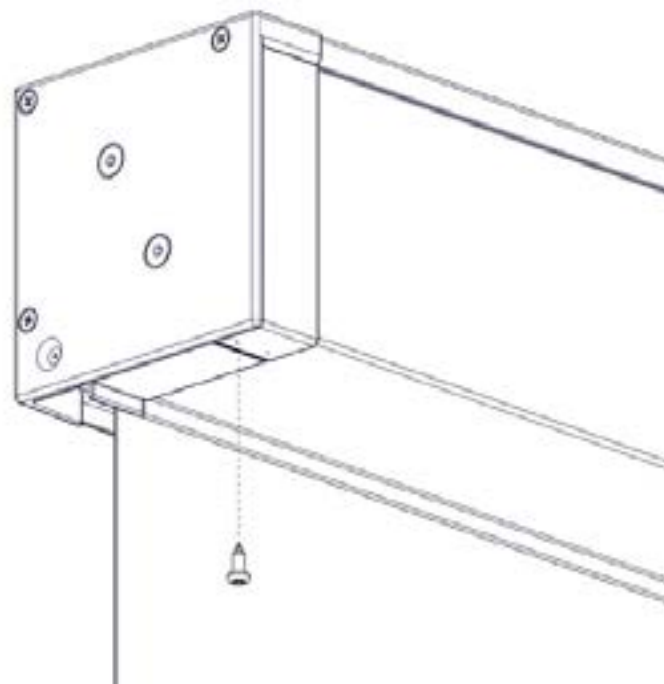
NOTE: Ensure straps are adjusted so that the weight bar is level

## PART G - INSERT BOX / COVER

STEP 1 - MARK OUT POSITIONING OF SADDLES (SUGGESTED 100MM FROM END CAP), FIX WITH APPROPRIATE SCREWS



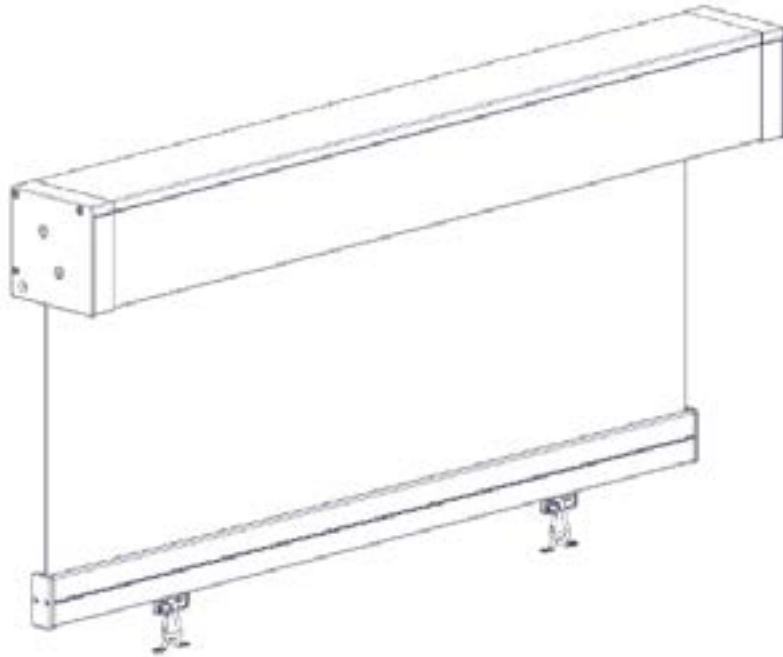
STEP 2 - SECURE COVER AT BOTH ENDS



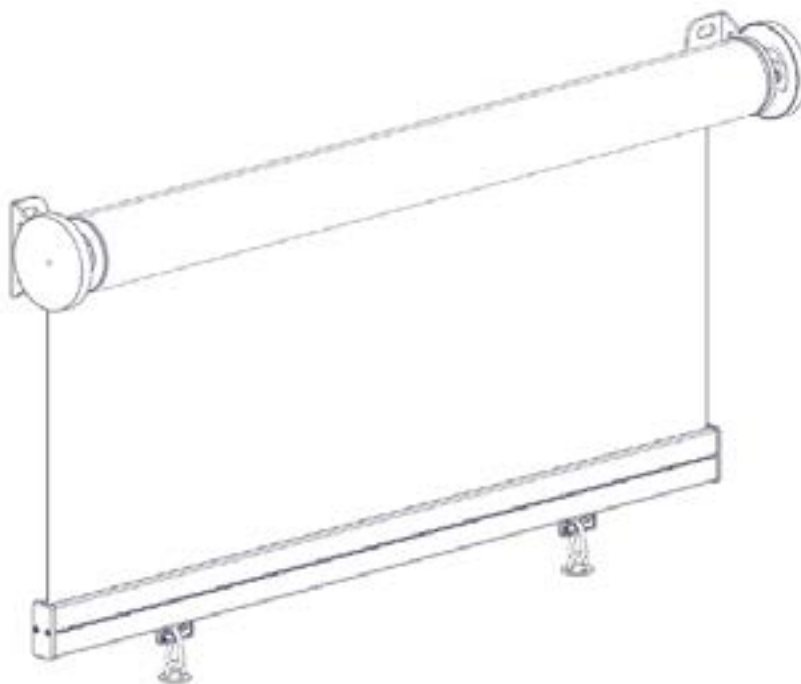
## INSTALLED STRAIGHT DROP

---


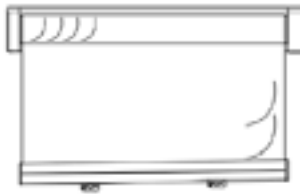
BOX



OPEN





NO.	PROBLEM	CAUSE	SOLUTION
1	<p>Ripples along sides of fabric</p> 	Blind rolled up for an extended period of time	This occurrence is inherent to roller systems and is more prevalent in some fabrics. Leave blind down for 1 – 4 hours; most ripples should disappear.
		Not enough weight in weight bar.	Refer to Product Specs. Add ballast.
		Installation is not square.	Check blind roll is installed level.
		Fabric permanently damaged due to inadequate handling during assembly, transportation, installation or use.	Replace fabric and ensure it is handled with care.
2	Blind does not fully open / jams	Incorrect motor stop limits used.	Refer to motor instructions to reset stop limits.
3	<p>Uneven weight bar</p> 	Blind roll is not level, thus weight bar	Ensure blind is installed level.
		Blind has been operated in excessive wind conditions.	Check blind roll when the blind is fully raised. If ripples are evident on roll, open blind fully (without the presence of wind) to allow the blind to track down evenly. Raise and lower blind a number of times to check operation.
		Fabric is not installed straight.	Ensure fabric is assembled straight onto tube and weight bar.

STRAIGHT DROP

STRAIGHT DROP



*inspired spaces*

- > 1800 007 321
- > [apollopatios.com.au](http://apollopatios.com.au)