

Apollo Insulated Roofing - Trimlink Profile - Cyclonic

PRODUCT DESCRIPTION

Apollo Patios insulated roofing is a long-spanning commercial and residential insulated roof panel system that combines roofing, EPS-FR insulation and a pre-painted ceiling in one durable, functional and attractive roof panel. This all-in-one roofing solution is manufactured using Australian-made Unicote steel for durability and is installed in a variety of applications including educational facilities, multi-residential housing and retail facilities.

| TECHNICAL DATA | | | | | | |
|---------------------------------|-------|-------|-------|-------|-------|-------|
| Thickness (mm) | 50 | 75 | 100 | 125 | 150 | 200 |
| Weight (kg/m ²) | 10.58 | 10.94 | 11.37 | 11.80 | 12.23 | 12.50 |
| R Value 8°C m ² K/W | 1.61 | 2.26 | 2.66 | 3.25 | 3.94 | 4.58 |
| R Value 20°C m ² K/W | 1.59 | 2.22 | 2.59 | 3.17 | 3.75 | 4.05 |

Minimum Pitch 2°

| EARLY FIRE HAZARD (AS 1530.3:1999) | | |
|------------------------------------|------------|-------------------|
| INDEX | Test Range | External Top Skin |
| IGNITABILITY | 0-20 | 0 |
| SPREAD OF FLAME | 0-10 | 0 |
| HEAT EVOLVED | 0-10 | 0 |
| SMOKE DEVELOPED | 0-10 | 5 |

| ROOF PANEL SPECIFICATIONS | | | | |
|---|----------------|-------------------------|--|------------|
| CORE AS 1366 PART 3 1992 | "K" VALUE CORE | MAX SKIN TEMP | ADHESIVE | FINISH |
| SL Grade Polystyrene 13.5 Kg/m ² | 0.037 | 78°C Dry Heat Sustained | Thermosetting two part Polyurethane CFC Free | Plain face |

| ROOF PANEL SKIN DETAILS | | | |
|-------------------------|---------------|------------|-------------|
| Finish | Thickness | Substrate | Gloss Level |
| Upper Skin | 0.42 mm (BMT) | AZ150 G550 | 25% |
| Lower Skin | 0.60 mm (BMT) | AZ150 G300 | 25% |

| | |
|---------------------------|--|
| Core | EPS-FR(Expanded Polystyrene with fire retardant) |
| Width (cover mm) | 1000 |
| Thickness (mm) | 50, 75, 100, 125, 150, 200 |
| Length to order | 2m to 12,5m (check for availability) |
| External Material | 0.42mm G550 Unicote pre-painted steel |
| External Finishes | High-Rib Trapezoidal Profile |
| Exterior Colour Options | Armour Grey, Birch, Basal, Caulfield Green, Gull Grey, Heritage Red, Iron Grey, Jasmine Brown, Merino, Mist Green, Monolith, Mountain Blue, Off White, Slate Grey, Smooth Cream, Hamptons White, Wallaroo, Aluzinc |
| Unicote Colour References | |
| Internal Material | 0.6mm G300 UniCote pre-painted steel |
| Internal Finishes | Plain |
| Interior Colour Options | Underside - Off White, Smooth Cream, Hamptons White, Ashwood, Maple |
| Pitch | 2 degree minimum |
| Paint System | AS/NZS 2728 & AS 1397 Foam Grey Primer |
| Acoustic Properties | Rw 24 - 25 depending on thickness |
| Material Group Numbers | C1.10 Group 1 & 2 |
| Bushfire Attack level | BAL-40 (All exposed core to be covered with flashing) |
| Fire hazard properties | AS/NZS 1530.3:1999 |
| Ignitability Index | 0 |
| Spread of Flame Index | 0 |
| Heat Evolved Index | 0 |
| Smoke Index | 5 |
| SMOGR _{RC} | < 100 |

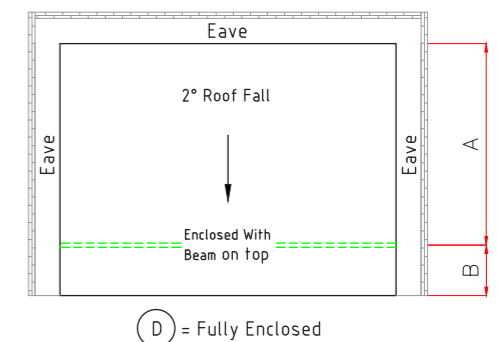
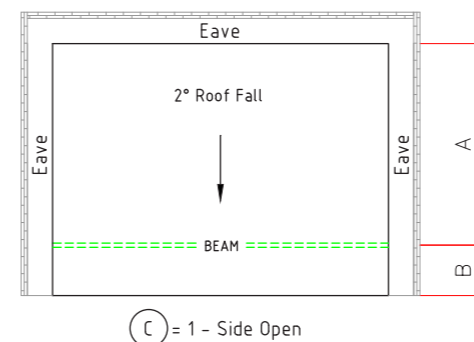
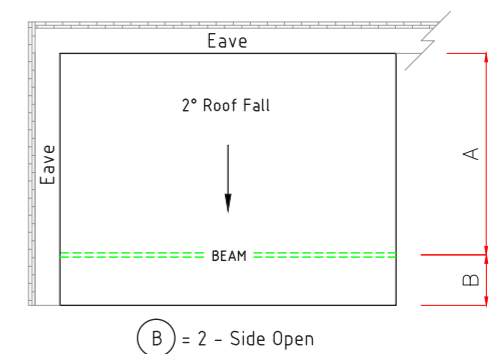
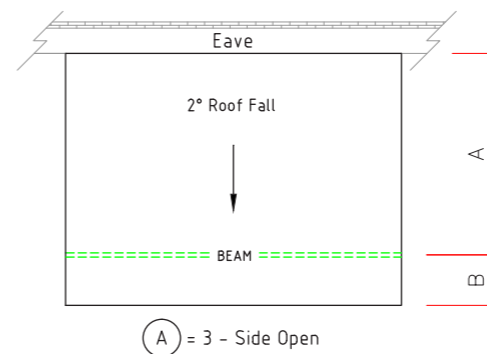
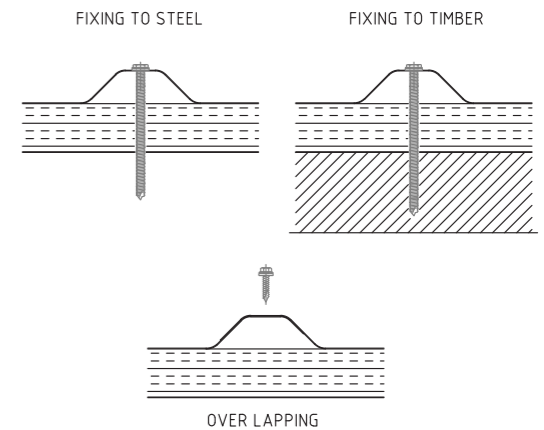
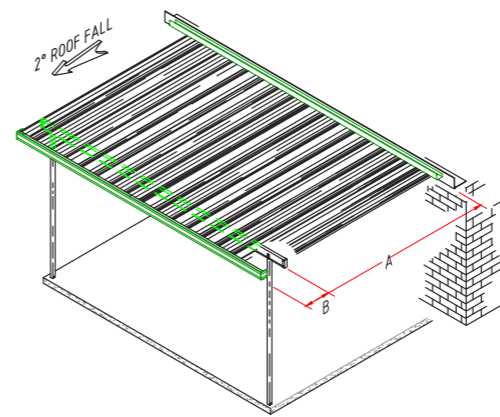
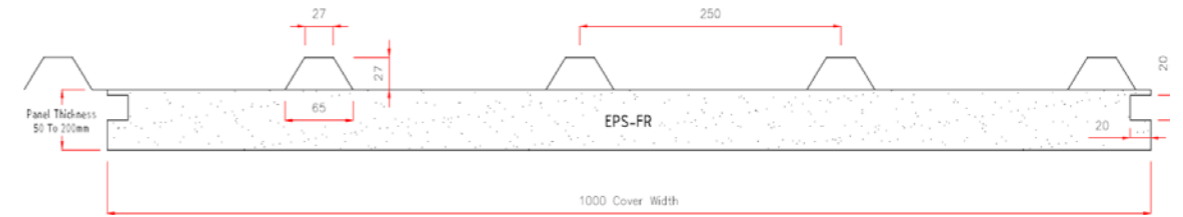
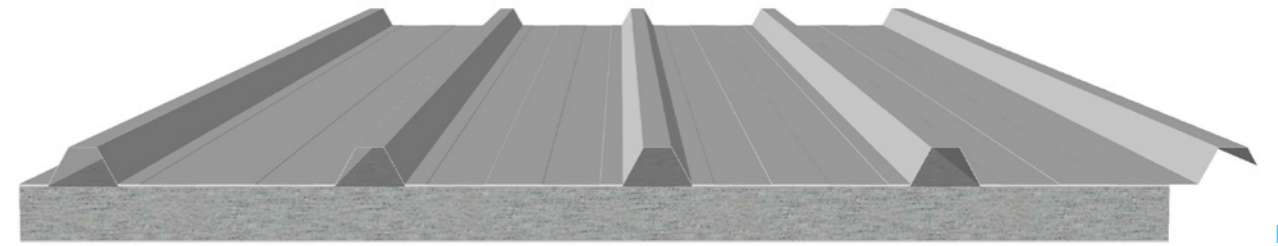
AS/ISO 9705 - BCA Group Number (Spec C1.10)
 EPS-FR steel skinned insulated building panels conform to the requirements of the BCA Specification C1.10 as Group 1 depending on the thickness and construction detail.

Group 1

Panel up to 200mm thick with steel 'wall-wall' and 'wall-ceiling' angles fixed with steel rivets or screws at maximum 300mm centres is classified as Group 1.

NOTES:

- Extended span tables including A, B, C & D. Refer to Apollo Engineering Manual.
- Fixing with 14g Tek/T17 screws with Multiseal/cyclone washer - 4 per sheet per fixing point are required (see Apollo Insulated Screw Fixing Guide for exact details).
- Pressures specified are for wind gusts only per AS 1170.
- Deflection limit of span/150 applies, and in accordance with Serviceability Limit State criteria per AS1170.0 - TABLE C1.
- Self weight of the panel has been allowed for, plus an allowance of max 25kg/m² uniformly distributed dead loads (e.g. lights, fans, solar panels, etc.).
- Non-trafficable maintenance access (concentrated load) of 140kg (exceeding min. requirements of AS/NZS 1170.1:2002) on any one panel has been allowed for.
- Distributed live load of 0.25kPa (as per AS/NZS 1170.1:2002) has been allowed for.
- Min. roof slope of 2 degree applies.
- Generic engineering certification of the Apollo Patio System is available for residential patios.



Apollo Insulated Roofing - Trimlink Profile - Cyclonic

SINGLE SPAN, CYCLONIC SPAN TABLES

| C1 | Panel Size | Apollo Trimlink Panel Span | | | | Freestanding | Overhang |
|----|------------|----------------------------|------|------|------|--------------|----------|
| | | A | B | C | D | | |
| | 50 | 4600 | 3500 | 3200 | 2900 | 4600 | 1100 |
| | 75 | 5300 | 4100 | 3700 | 3400 | 5300 | 1200 |
| | 100 | 6000 | 4600 | 4200 | 3900 | 6000 | 1300 |
| | 125 | 6600 | 5100 | 4700 | 4300 | 6600 | 1350 |
| | 150 | 7200 | 5600 | 5100 | 4600 | 7200 | 1350 |

| C2 | Panel Size | Apollo Trimlink Panel Span | | | | Freestanding | Overhang |
|----|------------|----------------------------|------|------|------|--------------|----------|
| | | A | B | C | D | | |
| | 50 | 3700 | 2900 | 2500 | 2100 | 3700 | 1100 |
| | 75 | 4300 | 3400 | 3000 | 2500 | 4300 | 1200 |
| | 100 | 4900 | 3800 | 3500 | 3100 | 4900 | 1300 |
| | 125 | 5400 | 4200 | 3800 | 3400 | 5400 | 1350 |
| | 150 | 5900 | 4500 | 4100 | 3800 | 5900 | 1350 |

| C3 | Panel Size | Apollo Trimlink Panel Span | | | | Freestanding | Overhang |
|----|------------|----------------------------|------|------|------|--------------|----------|
| | | A | B | C | D | | |
| | 50 | 3100 | 2000 | 1700 | NA | 3100 | 1100 |
| | 75 | 3600 | 2400 | 2000 | 1700 | 3600 | 1200 |
| | 100 | 4000 | 3100 | 2600 | 2100 | 4000 | 1300 |
| | 125 | 4500 | 3400 | 2800 | 2300 | 4500 | 1350 |
| | 150 | 4800 | 3700 | 3300 | 2800 | 4800 | 1350 |

| C4 | Panel Size | Apollo Trimlink Panel Span | | | | Freestanding | Overhang |
|----|------------|----------------------------|------|------|------|--------------|----------|
| | | A | B | C | D | | |
| | 50 | 2500 | 1500 | NA | NA | 2500 | 1100 |
| | 75 | 3000 | 1800 | 1500 | NA | 3000 | 1200 |
| | 100 | 3500 | 2300 | 1900 | 1600 | 3500 | 1300 |
| | 125 | 3800 | 2500 | 2100 | 1700 | 3800 | 1350 |
| | 150 | 4200 | 3000 | 2500 | 2000 | 4200 | 1350 |

A - 3 Sides Open & Freestanding B - 2 Sides Open C - 1 Side Open D - Fully Enclosed

DOUBLE SPAN, CYCLONIC SPAN TABLES

| C1 | Panel Size | Apollo Trimlink Panel Span | | | | Freestanding | Overhang |
|----|------------|----------------------------|------|------|------|--------------|----------|
| | | A | B | C | D | | |
| | 50 | 4600 | 2900 | 2400 | 2000 | 4600 | 1100 |
| | 75 | 5300 | 3200 | 2700 | 2200 | 5300 | 1200 |
| | 100 | 6000 | 3900 | 3200 | 2700 | 6000 | 1300 |
| | 125 | 6500 | 3900 | 3200 | 2700 | 6500 | 1350 |
| | 150 | 7200 | 4300 | 3600 | 3000 | 7200 | 1350 |

| C2 | Panel Size | Apollo Trimlink Panel Span | | | | Freestanding | Overhang |
|----|------------|----------------------------|------|------|------|--------------|----------|
| | | A | B | C | D | | |
| | 50 | 3300 | 1900 | 1600 | NA | 3300 | 1100 |
| | 75 | 3600 | 2100 | 1800 | 1500 | 3600 | 1200 |
| | 100 | 4300 | 2600 | 2100 | 1800 | 4300 | 1300 |
| | 125 | 4400 | 2600 | 2200 | 1800 | 4400 | 1350 |
| | 150 | 4900 | 2900 | 2400 | 2000 | 4900 | 1350 |

| C3 | Panel Size | Apollo Trimlink Panel Span | | | | Freestanding | Overhang |
|----|------------|----------------------------|------|------|----|--------------|----------|
| | | A | B | C | D | | |
| | 50 | 2200 | NA | NA | NA | 2200 | 1100 |
| | 75 | 2400 | NA | NA | NA | 2400 | 1200 |
| | 100 | 2900 | 1700 | NA | NA | 2900 | 1300 |
| | 125 | 2900 | 1700 | NA | NA | 2900 | 1350 |
| | 150 | 3300 | 1900 | 1600 | NA | 3300 | 1350 |

| C4 | Panel Size | Apollo Trimlink Panel Span | | | | Freestanding | Overhang |
|----|------------|----------------------------|----|----|----|--------------|----------|
| | | A | B | C | D | | |
| | 50 | 1600 | NA | NA | NA | 1600 | 1100 |
| | 75 | 1800 | NA | NA | NA | 1800 | 1200 |
| | 100 | 2200 | NA | NA | NA | 2200 | 1300 |
| | 125 | 2200 | NA | NA | NA | 2200 | 1350 |
| | 150 | 2400 | NA | NA | NA | 2400 | 1350 |

NA denotes a span that is lower than 1500mm

Overhang NOT to Exceed 25% of Immediate Back Span